

Level Transducer Probe

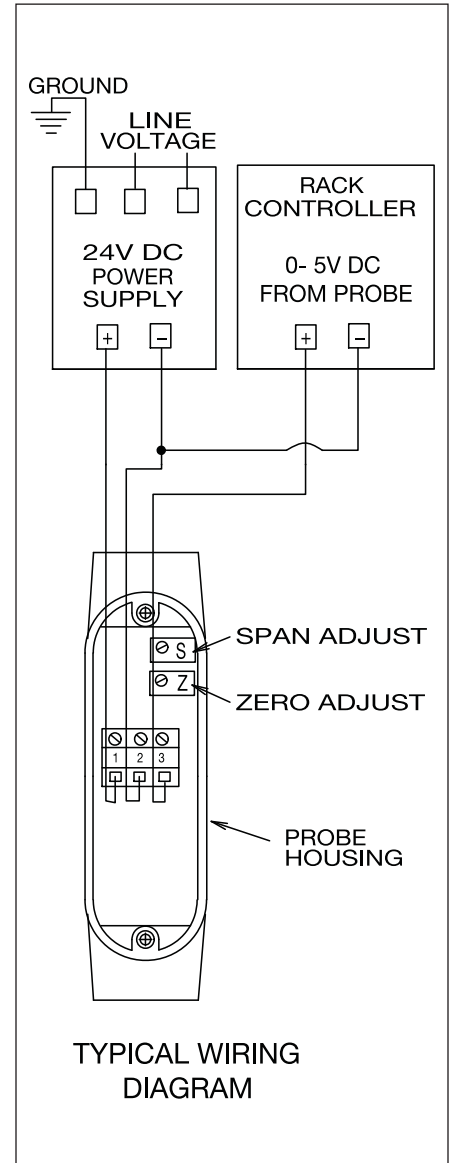
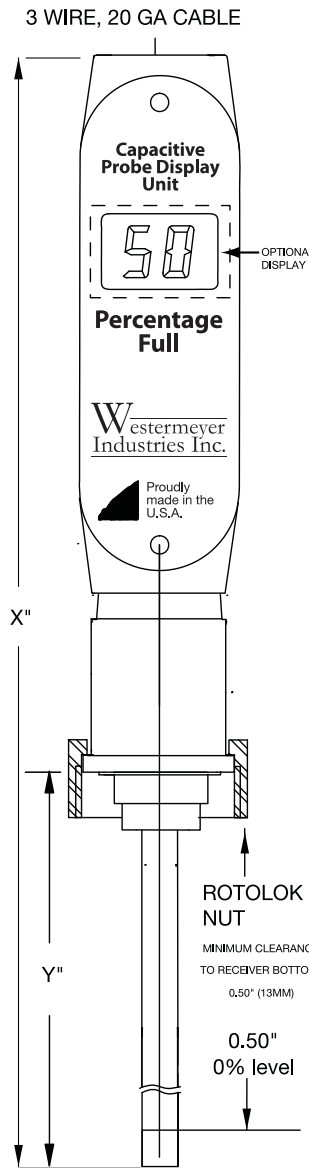
Level Transducer Probe

The level transducer probes (LP) are made for monitoring refrigerant levels in vertical or horizontal receivers. The probe operates with capacitance to provide a continuous level reading. The probe operates with capacitance to provide a continuous level reading. The electronic circuit provides an analog signal that is proportional to the refrigerant level. This signal is provided as a 0-5 vdc output. This signal is commonly used with supermarket rack controllers, PLCs and other types of controlling devices that will accept the 0-5 vdc output.

The probe is threaded directly into the receiver by the use of a 3/4" NPT coupling. The probe has no moving parts and uses 24 vdc as the input voltage.

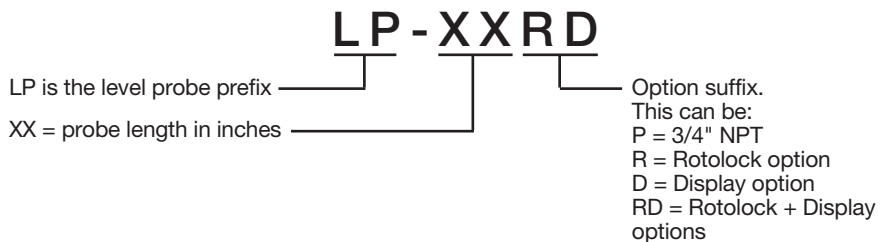
Features:

- 800 psi working pressure
- 10-24v DC Supply Voltage
- 0-5v DC Output Voltage
- Ambient Temperature Range: 32°F (0°C) to 125°F (+52°C)
- Refrigerant Temperature Range: 32°F (0°C) to 125°F (+52°C)
- Suitable for use with R-22, R-134A, R-404A, R-507, R-410A and other compatible refrigerants
- 3/4" NPT or 1-1/4 - 12 Rotolock connection available
- Optional display available



Ordering

Westermeyer Industries custom manufactures every probe to your specifications. To order, state the required length in inches as the part number with the appropriate suffix to designate optional Rotolock and/or display.



Ordering examples, LP-60P is a 60" probe with a 3/4" NPT connection; LP-60R is a 60" probe with Rotolock; LP-60RD is a 60" probe with both Rotolock and display options.