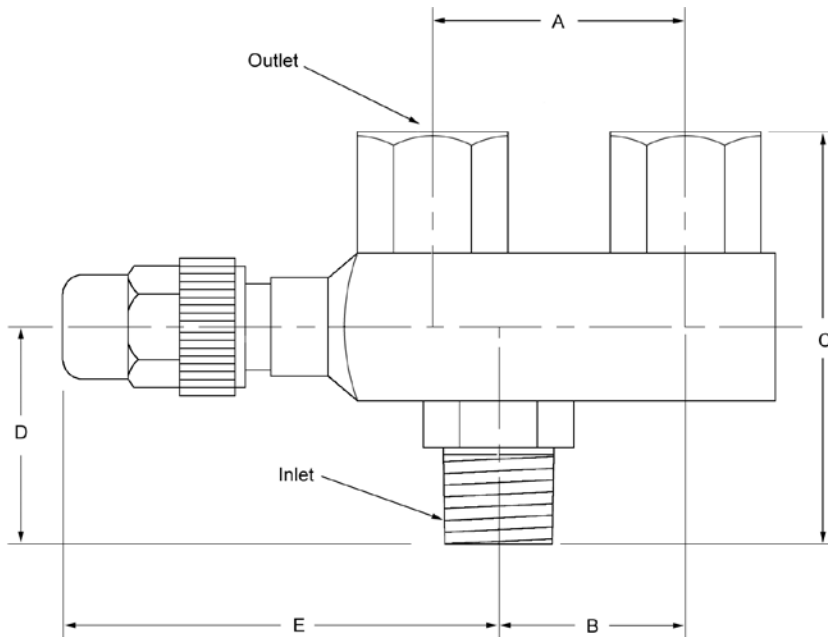


Three Way and Gauge Set Valves



| Catalog Number | Inlet | Outlet | Dimensions | | | | |
|----------------|--------------------|----------|------------|-------|-------|-------|-------|
| | | | A | B | C | D | E |
| TW-04 | 1/2" MPT | 1/2" FPT | 2.00" | 1.55" | 3.17" | 1.63" | 3.75" |
| TW-06 | 3/4" MPT | 3/4" FPT | 2.00" | 1.55" | 3.42" | 1.88" | 3.75" |
| TW-14 | 1 1/4"-12 Rotolock | 1/2" FPT | 2.00" | 1.55" | 3.17" | 1.63" | 3.75" |

Three Way Valves

The TW series of three-way valves is designed to fulfill the requirements of ASHRAE standard 15, which states that all vessels over 10 cubic feet of internal volume must have a dual relief valve assembly. The three-way valve is made of nickel plated steel. It is a packed valve design and the packing can be replaced if necessary. It is imperative that the valve stem be either front-seated or back-seated to insure only one relief valve assembly is active. The TW-14 is made to connect to a standard 1-1/4"-12 Rotolock fitting. A Teflon gasket is supplied with the TW-14.

Features

- Nickel plate steel body
- Nitrogen tested for cleanliness
- 500 psig maximum working pressure
- Temperature rating: -20°F to +300°F
- Suitable for refrigerants and other industrial fluids non-corrosive to brass and steel

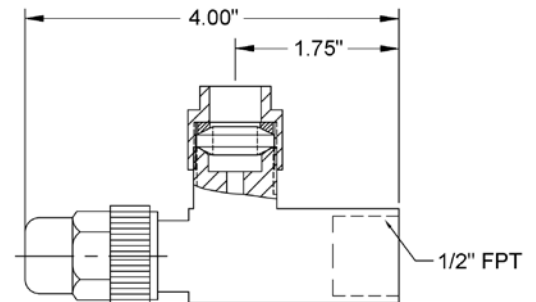


Gauge Set Valves

Gauge set valves are to be used in conjunction with gauge glass when installed on a pressure vessel. These valves with the glass will allow for continuous monitoring of liquid level in the vessel. The gauge glass is to be provided by the end user and must be 1.69" less than the mounting centers of the valves.

Features

- Nickel plate steel body
- Packed style valve—non backseating
- Internal check valve to stop flow if glass is broken
- Suitable for all refrigerants including ammonia
- Temperature rating -20°F to +150°F
- Maximum working pressure for glass lengths up to 20" is 420 psig



| Catalog Number | Connection Size |
|----------------|-----------------|
| 50-501 (Lower) | 1/2" FPT |
| 50-502 (Upper) | 1/2" FPT |